

*** Technical requirement:**

- Main material: Steel.
- Suitable for Transformer 3P, 160~630kVA, indoor.
- The body (without oil collecting trough) and anchor bolts are hot dip galvanized according to ASTM A153 standard.
- The cabinet, cable tray and mounting plate are powder coated with RAL 7032 color for outdoor use.
- Meter, Current transformer-LV are installed inside the OPS and can viewed via Transparent glass window (Tempered safety glass).
- Utilization temperature: 0 to 45°C
- Air humidity: >95%

*** Dimension (mm):**

Height (H)	Width (W)	Depth (D)
3000	900	600

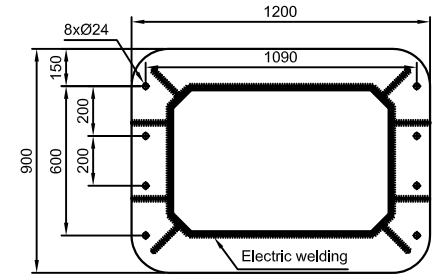
*** Accesories:**

- 02 padlockable doors: 02pcs.
- Anchor bolt M18x500: 08pcs
- Plain mounting plate: 01 pc.
- Complete with bolts / screws, nuts, and washers.

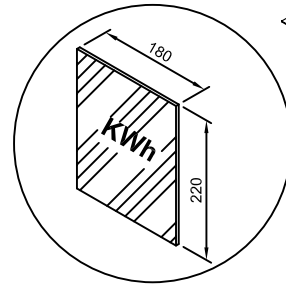
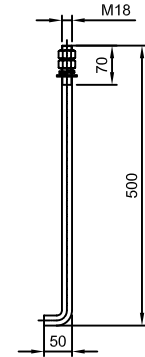
*** Remarks:**

- Transformer, Meter, Current Transformer, etc..., to complete the substation are not included in the scope.
- Foundation and installation are not included in the scope.

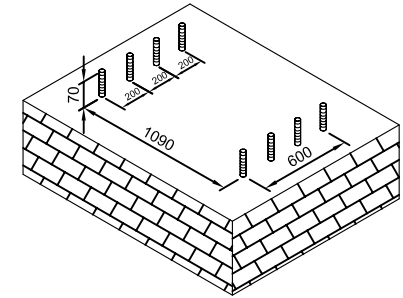
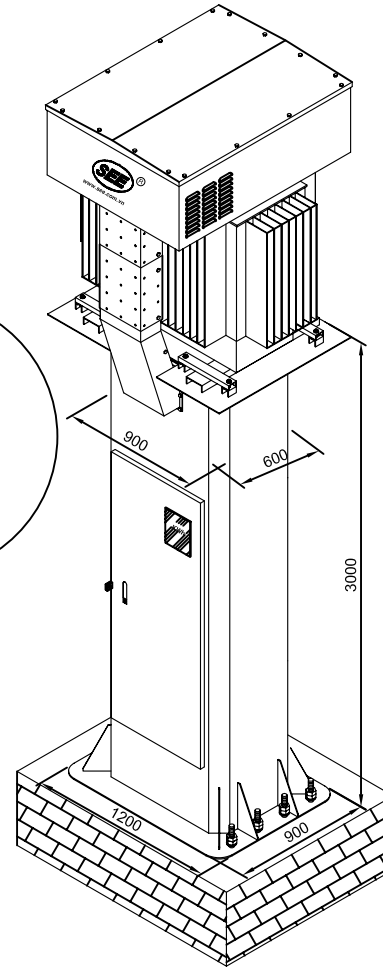
*** Base section - 8x900x1200**



*** Anchor bolt - M18x500**



*** Transparent glass window**



MATERIAL LIST

Item	Description	Unit	Quantity	Remark
01	Body (with 02 doors)	Pcs	01	H.D.G
02	Cabinet for transformer	Pcs	01	Powder coated
03	Cable tray	Pcs	02	
04	Anchor bolt - M18x500	Pcs	08	H.D.G
05	Bolts, Screws, Brackets for Transformer	Lot	01	H.D.G



SAIGON ELECTRICAL EQUIPMENT CORP.

EMPTY ONE-PILLAR SUBSTATION (OPS)

Position	Name	Signature	Date
Drawn	Huynh Q.Phuong		05-2015
Checked	Nguyen T.T.Tri		
Approved	Nguyen L.T.Vi		

EMPTY ONE-PILLAR SUBSTATION FOR TRANSFORMER 160~630kVA

Edition :

Date:

Cat. No.: SEE OPS_1(G)

Scale: N/A

Drawing No.:

Page: 1/1